

# ASSEMBLY INSTRUCTION

Name: FS-VarioLock QuickPack

Model Number: #17.1063

Instruction ID: #00.556\_C

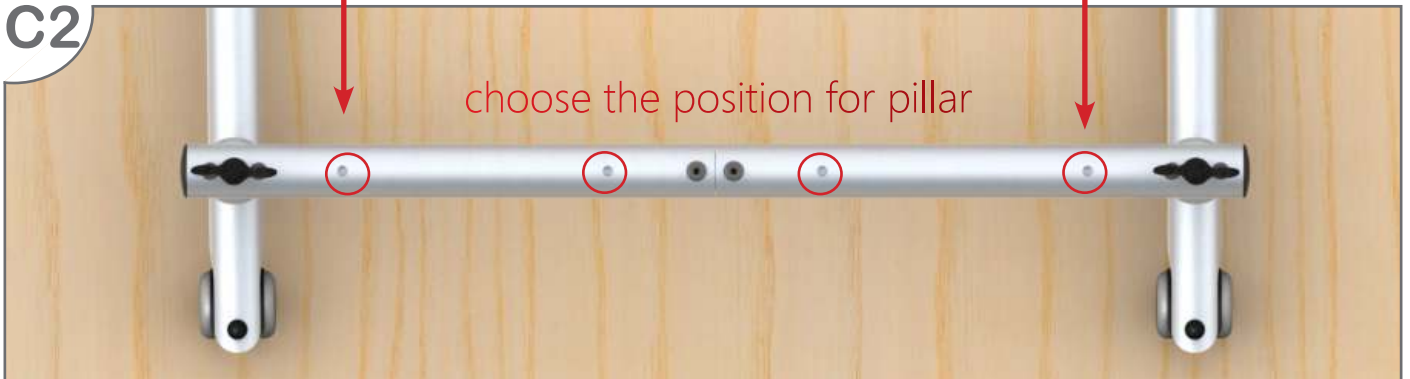
**A1**



**B1**



**C2**



**1**



**2**

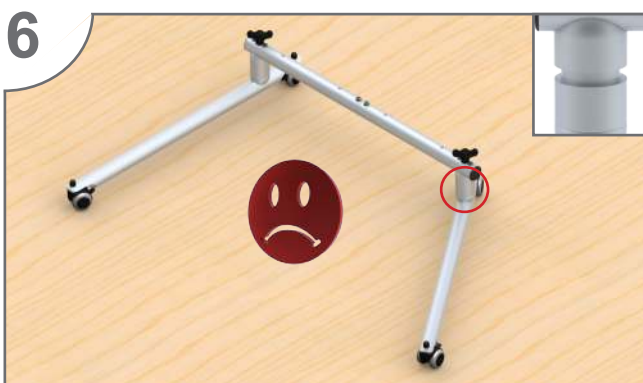
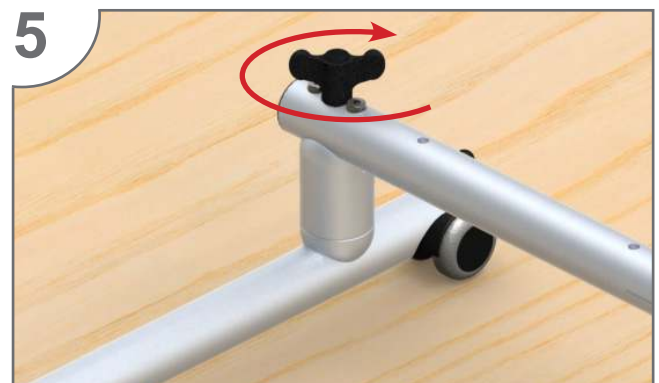
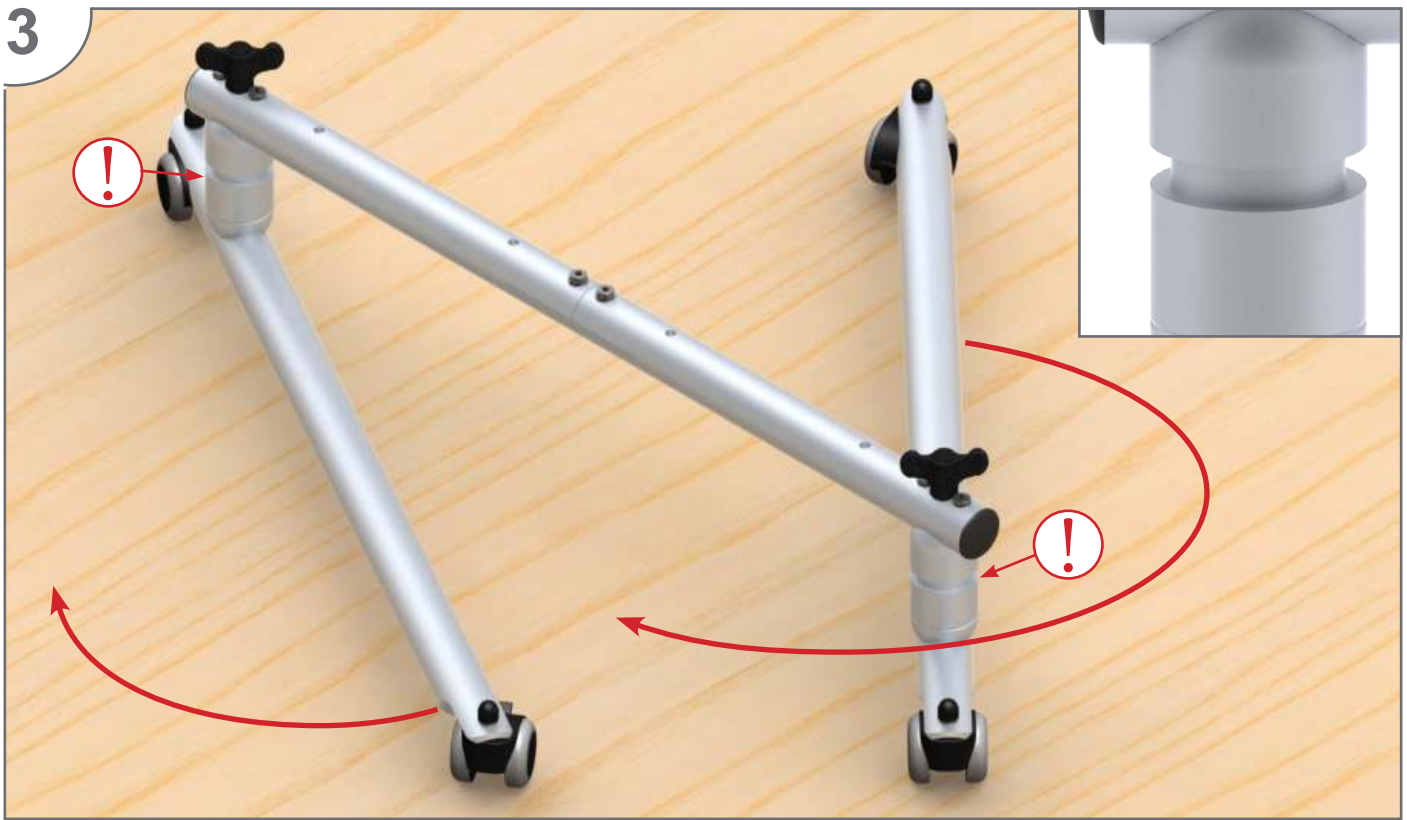


# ASSEMBLY INSTRUCTION

Name: FS-VarioLock QuickPack

Model Number: #17.1063

Instruction ID: #00.556\_C



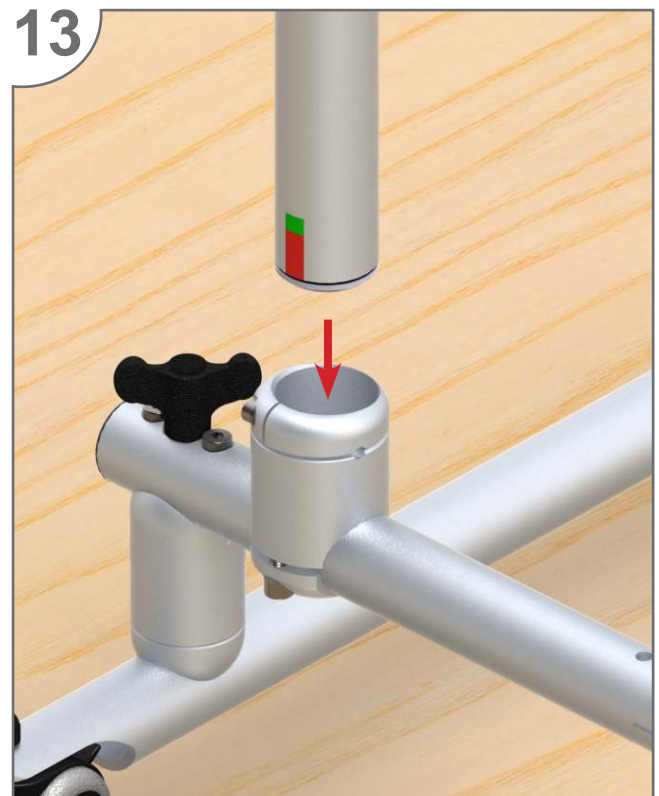
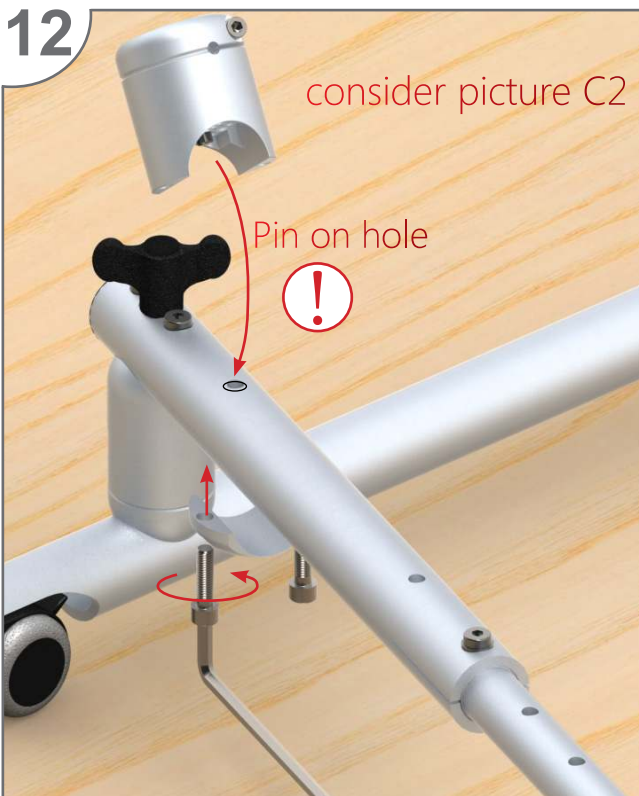
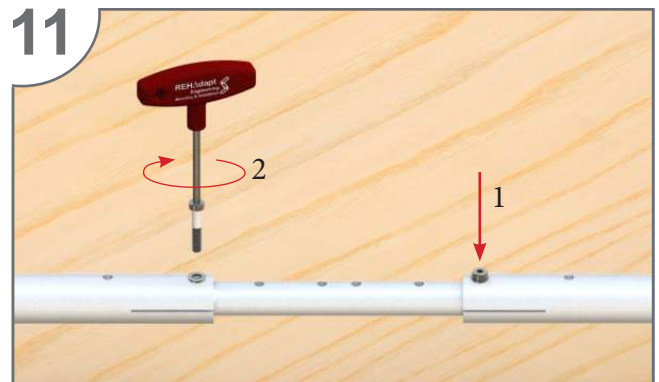
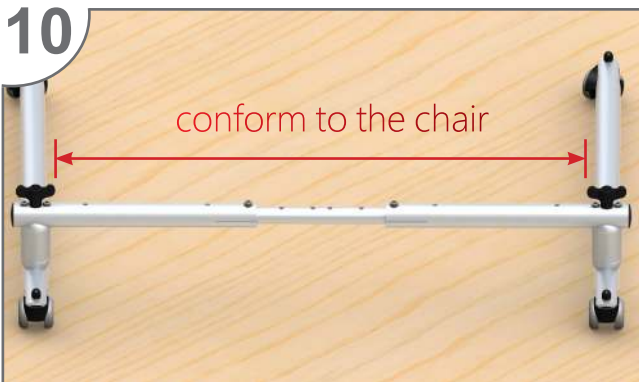
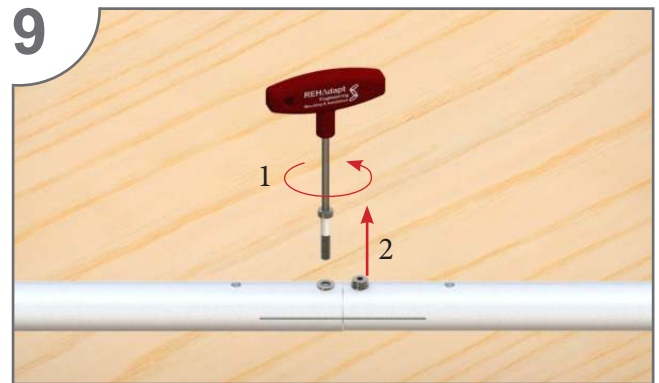


# ASSEMBLY INSTRUCTION

Name: FS-VarioLock QuickPack

Model Number: #17.1063

Instruction ID: #00.556\_C

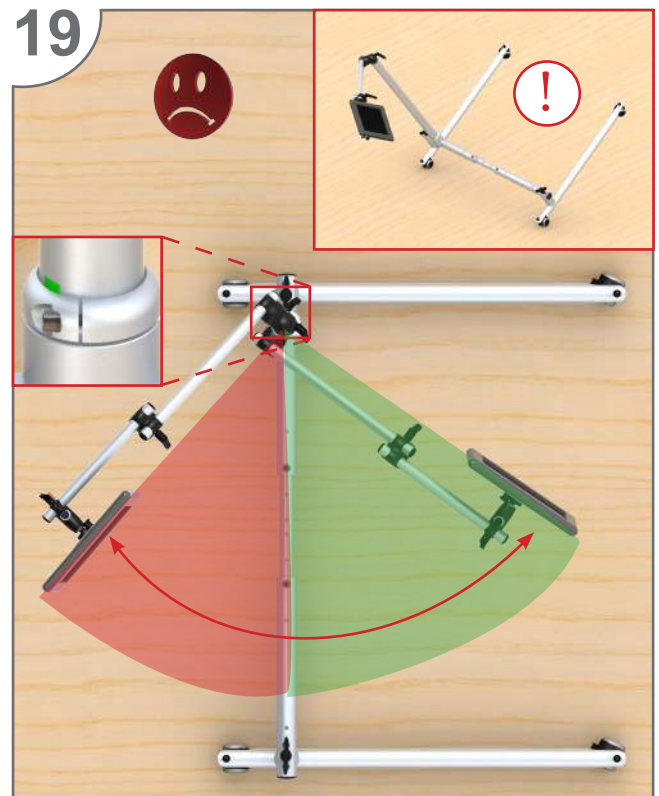
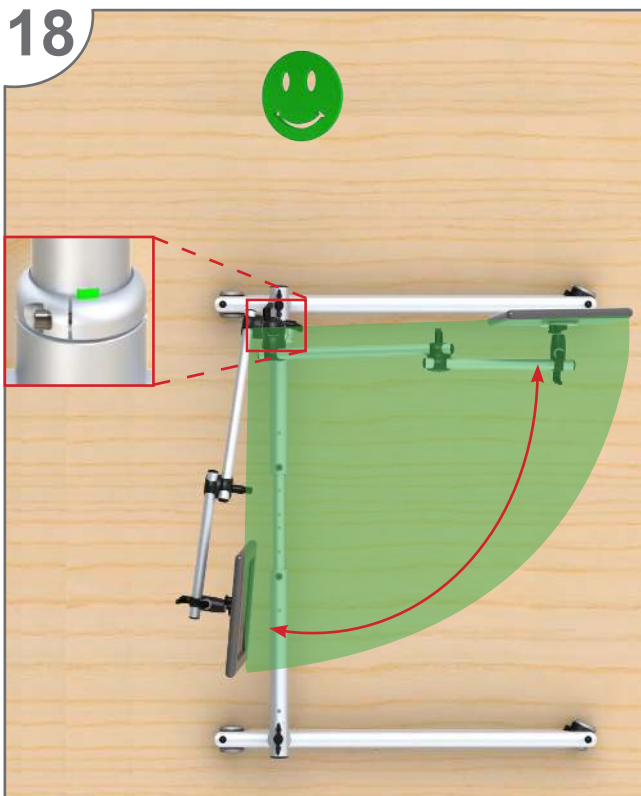
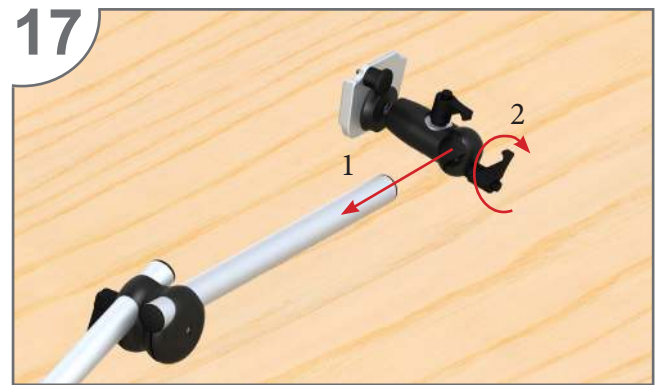
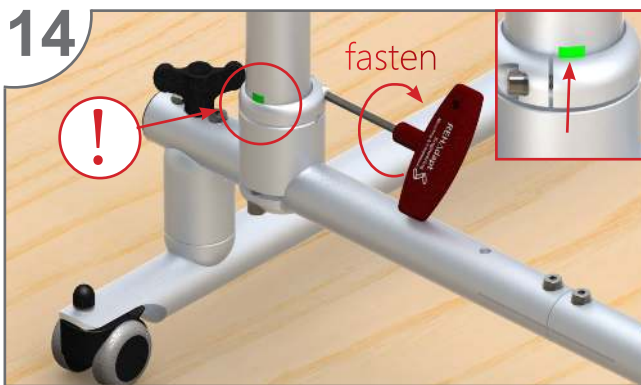


# ASSEMBLY INSTRUCTION

Name: FS-VarioLock QuickPack

Model Number: #17.1063

Instruction ID: #00.556\_C





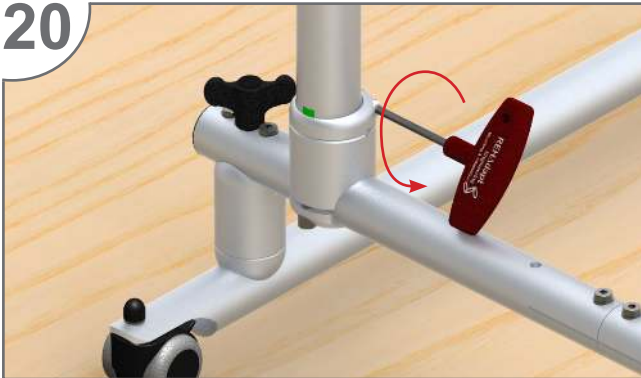
# ASSEMBLY INSTRUCTION

Name: FS-VarioLock QuickPack

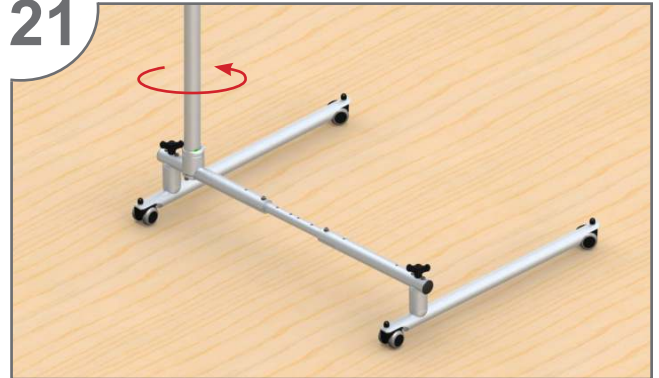
Model Number: #17.1063

Instruction ID: #00.556\_C

20



21



22



23



24

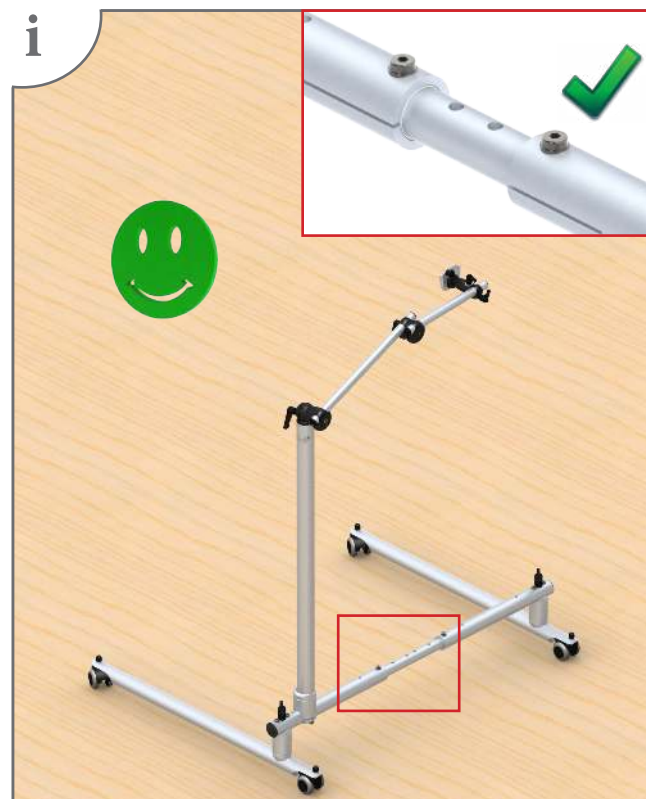
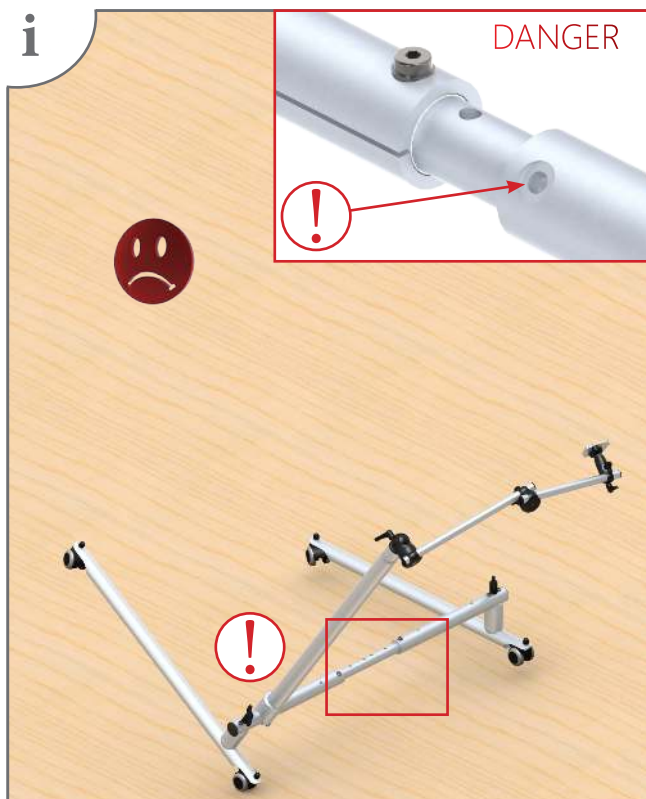


# ASSEMBLY INSTRUCTION

Name: FS-VarioLock QuickPack

Model Number: #17.1063

Instruction ID: #00.556\_C



----- Telescope Pole -----



**ACHTUNG!**

BETÄTIGUNG/  
VERSTELLUNG JEDLICHER  
GELENKE NUR MIT  
ABGENOMMENEM GERÄT!

**BITTE GERÄT VORHER  
ABNEHMEN!**



**ATTENTION!**

DO NOT ADJUST/OPERATE  
ANY HINGE WITH DEVICE  
MOUNTED!

**TAKE OFF DEVICE BEFORE  
ADJUSTING, PLEASE!**