

ASSEMBLY INSTRUCTION

Name: FS-VarioLock

Model Number: #17.1061

Instruction ID: #00.552_D

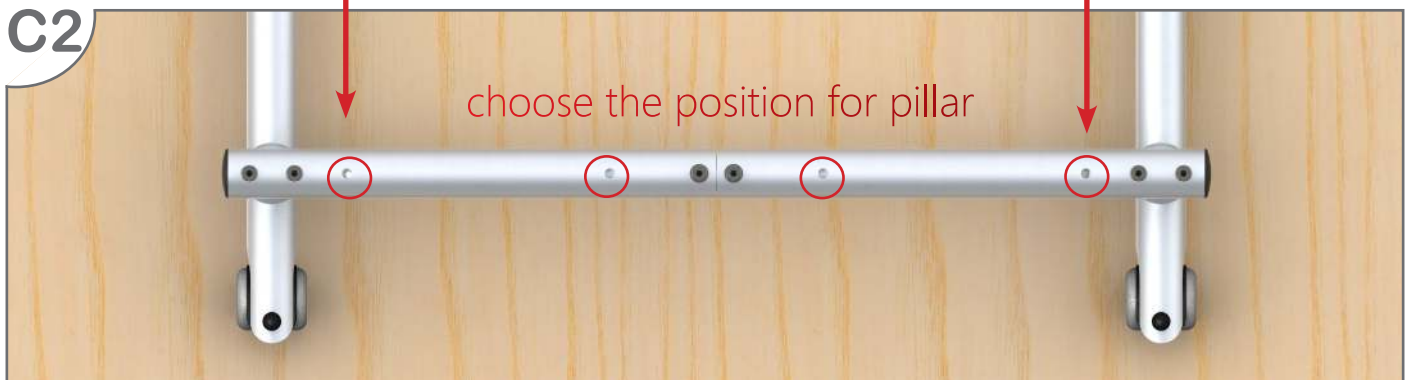
A1



B1



C2



1



2

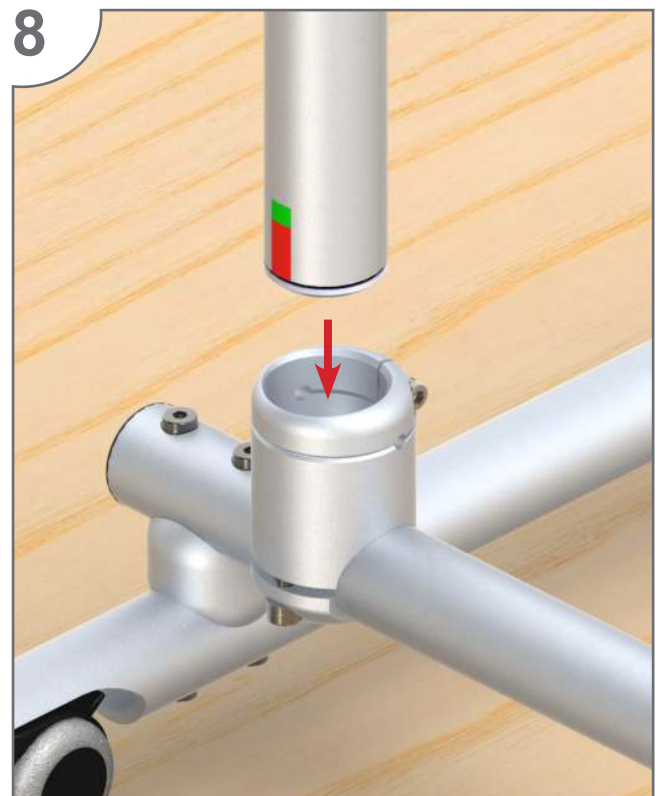
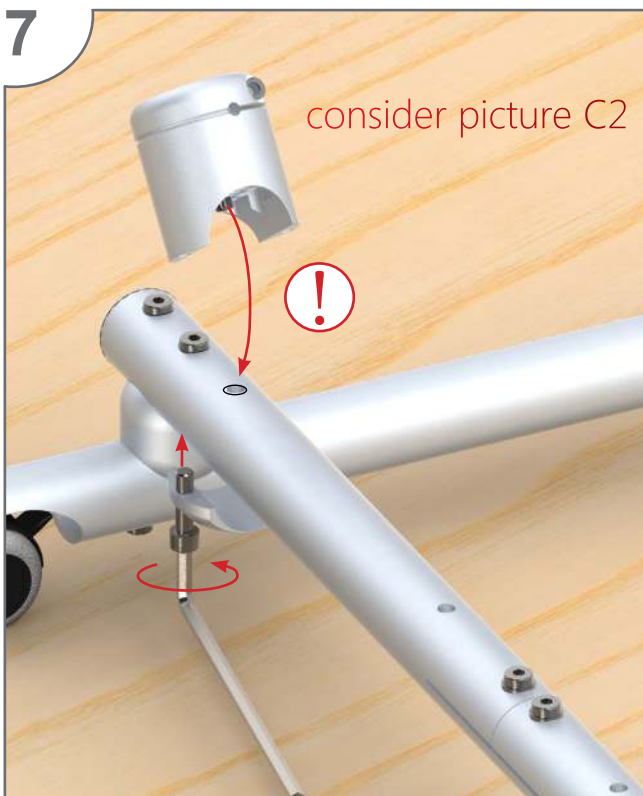
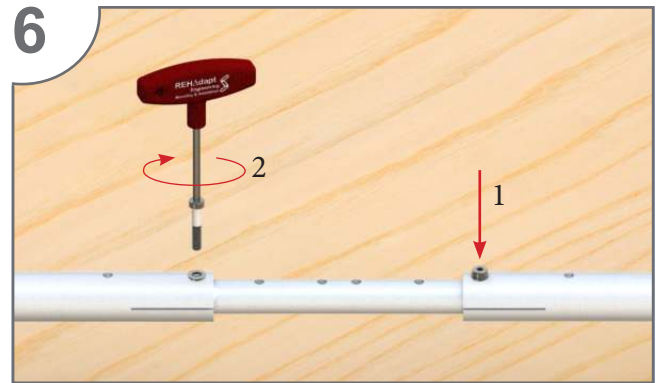
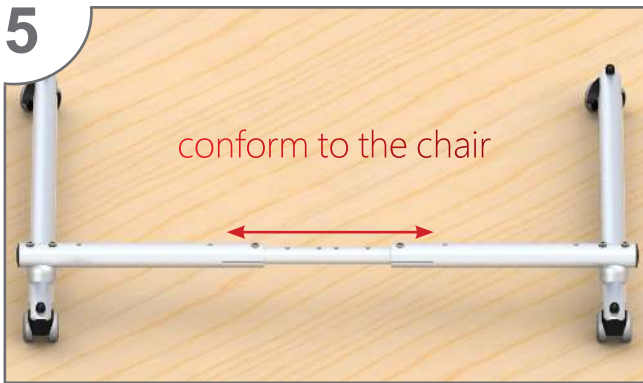
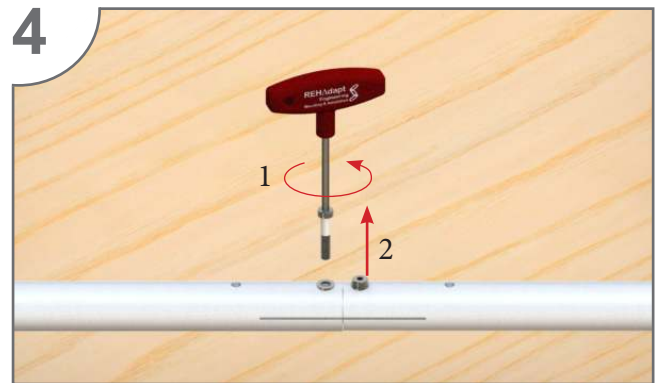
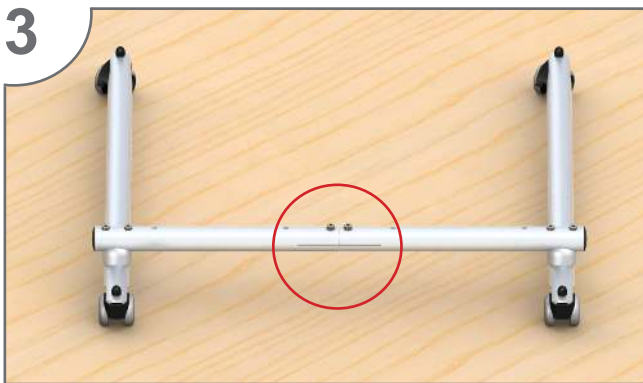


ASSEMBLY INSTRUCTION

Name: FS-VarioLock

Model Number: #17.1061

Instruction ID: #00.552_D

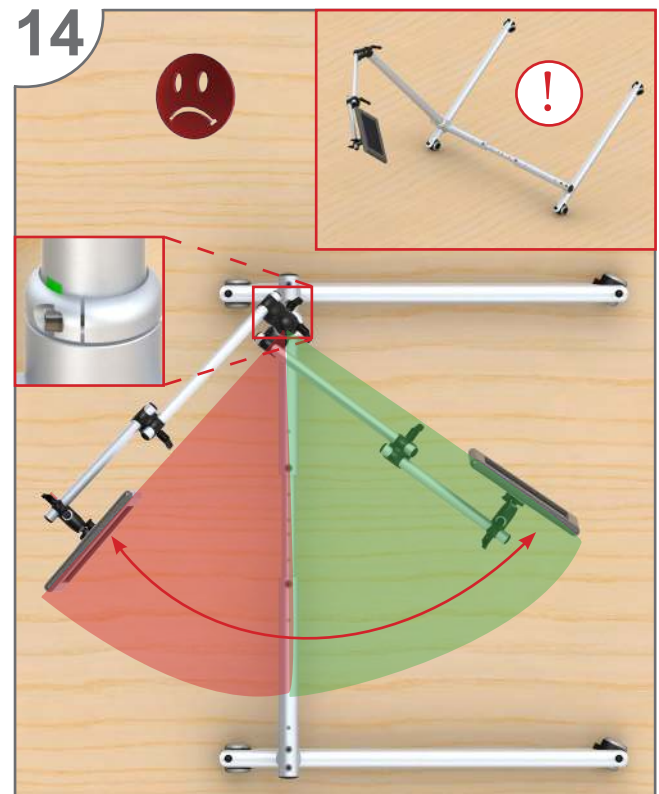
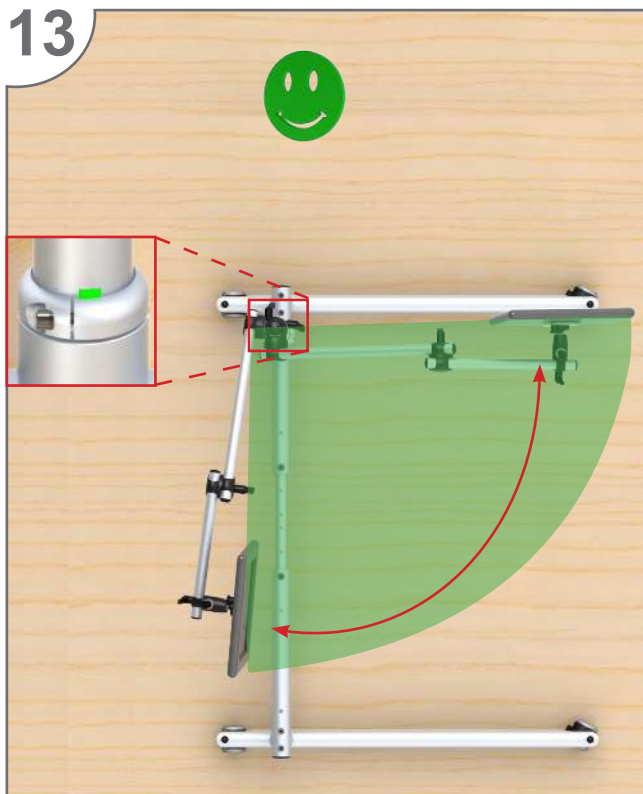
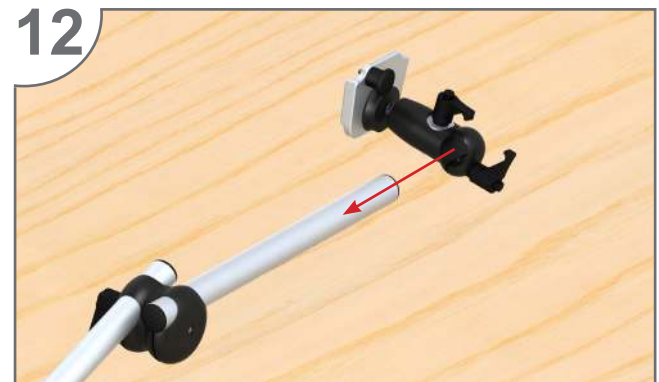
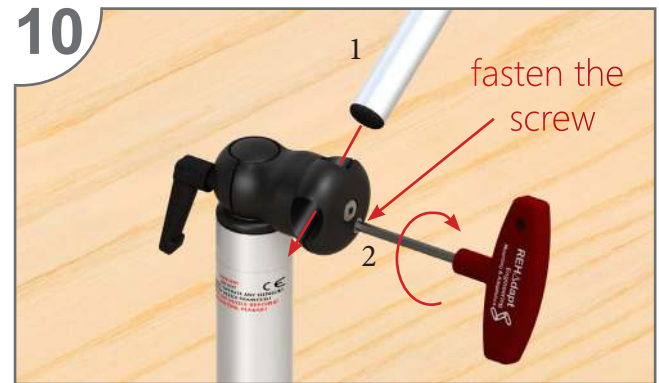


ASSEMBLY INSTRUCTION

Name: FS-VarioLock

Model Number: #17.1061

Instruction ID: #00.552_D

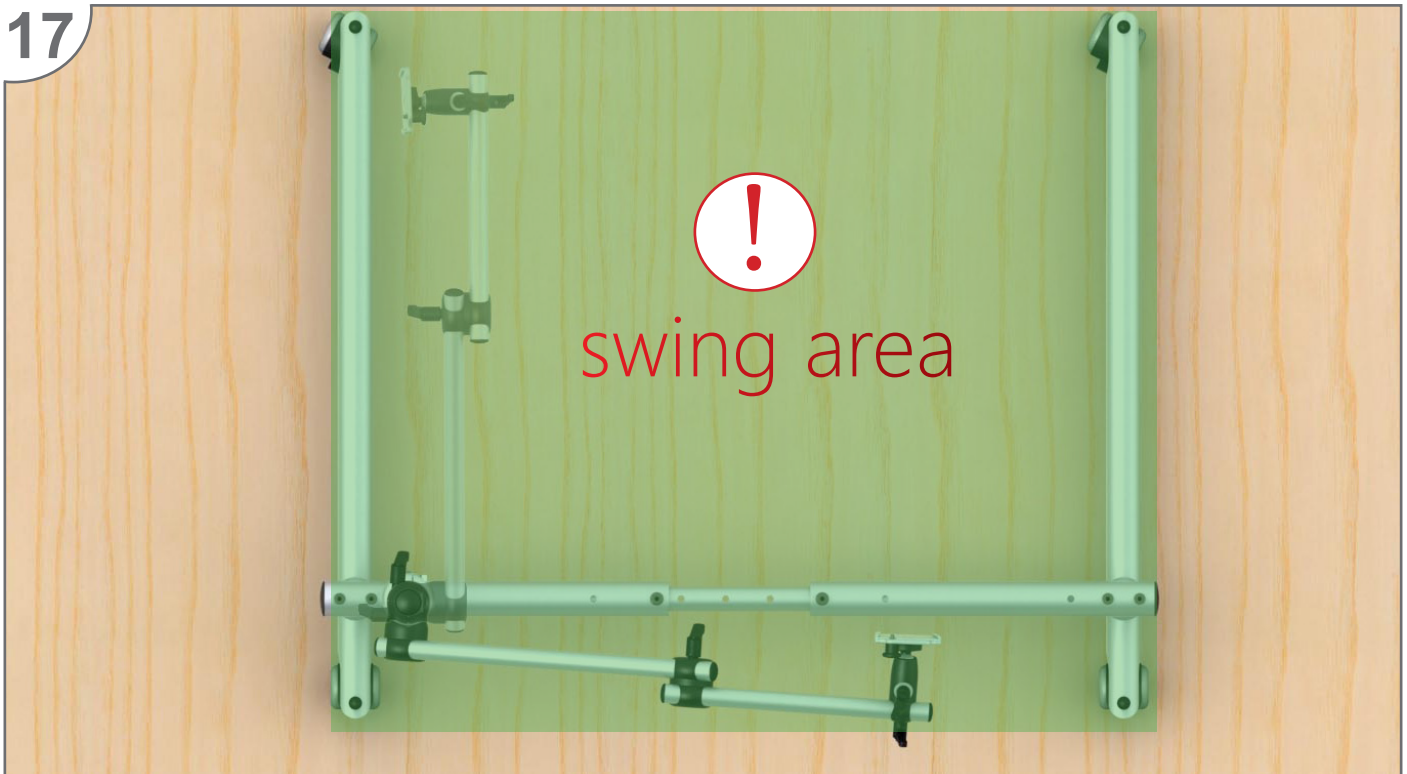
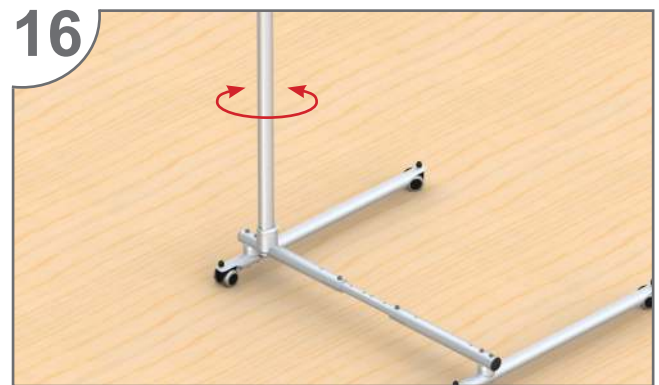
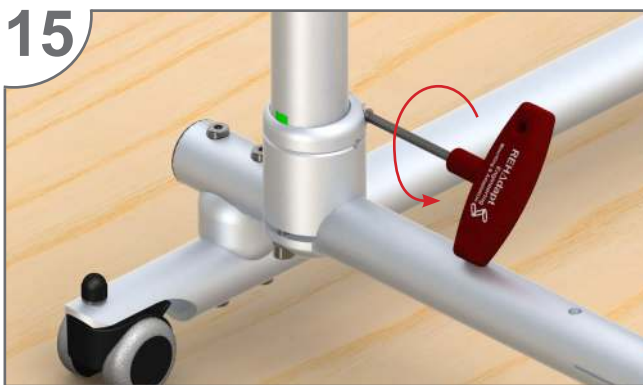


ASSEMBLY INSTRUCTION

Name: FS-VarioLock

Model Number: #17.1061

Instruction ID: #00.552_D

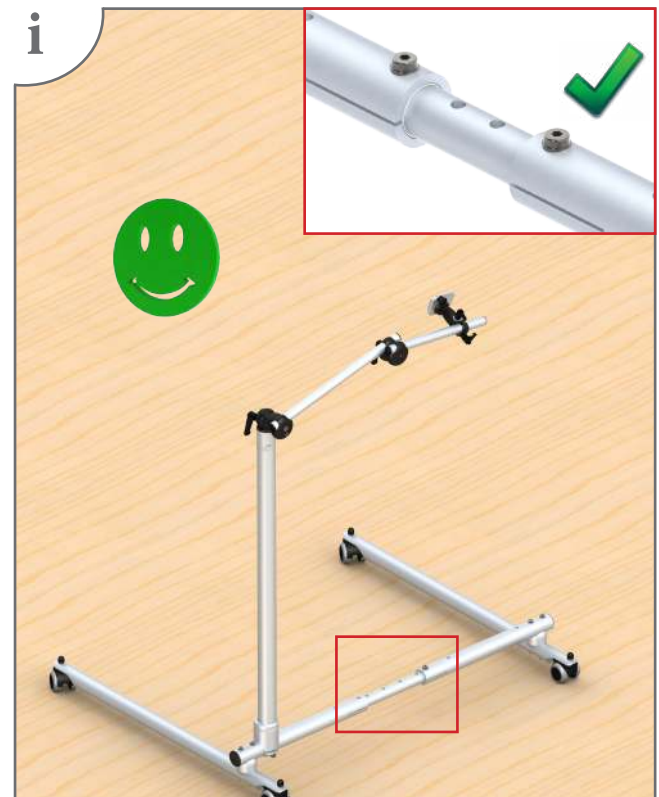
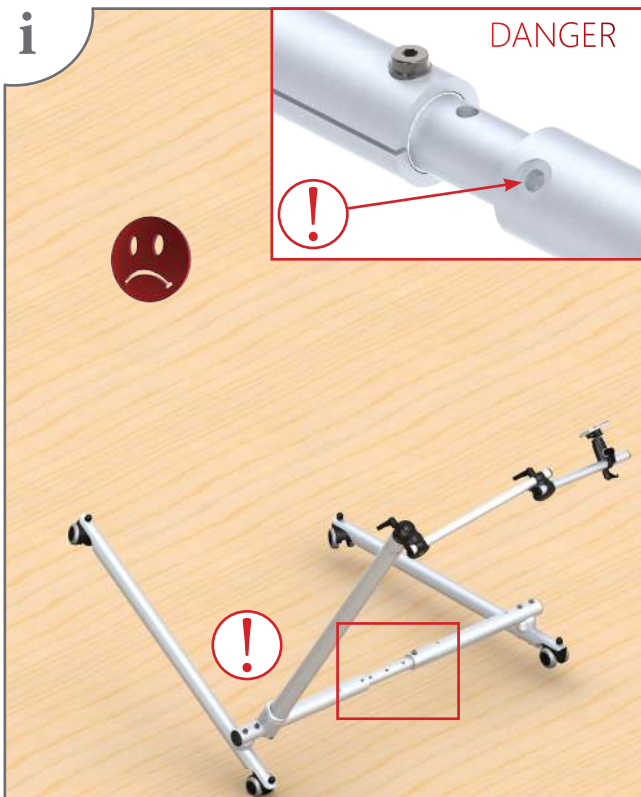


ASSEMBLY INSTRUCTION

Name: FS-VarioLock

Model Number: #17.1061

Instruction ID: #00.552_D



----- Telescope Pole -----



ACHTUNG!

BETÄTIGUNG/
VERSTELLUNG JEGLICHER
GELENKE NUR MIT
ABGENOMMENEM GERÄT!

BITTE GERÄT VORHER
ABNEHMEN!



ATTENTION!

DO NOT ADJUST/OPERATE
ANY HINGE WITH DEVICE
MOUNTED!

TAKE OFF DEVICE BEFORE
ADJUSTING, PLEASE!